

2. Specifications

| Indoor Unit | | | | ZHNW16C1 [HN1600MC NK1] |
|--|---|-----------------------|-------------------------|---------------------------------------|
| Operation Range (Leaving Water Temperature) | Cooling | Min. ~ Max. | °C DB | 5 ~ 27 |
| | Heating | Min. ~ Max. | °C DB | 15 ~ 65 |
| | DHW * | Min. ~ Max. | °C DB | 15 ~ 80 |
| Water Pump | Type | | - | Canned type for hot water circulation |
| | Model | | | GRUNDFOS UPML 20-105 CHBL |
| | Motor Type | | - | BLDC |
| | Steps of Pump Performance | | - | Variable capacity 10% to 100% |
| | Power input | Min. ~ Max. | W | 14 ~ 140 |
| Flow Sensor | Type | | - | Vortex |
| | Model | | - | SIKA VVX20 |
| | Measuring Range | Min. ~ Max. | ℓ/min | 5 ~ 80 |
| | Flow (Trigger point) | Min. | ℓ/min | 15 |
| Water Pressure Sensor | Model | | - | Sensata OFM(2HMP) |
| | Measuring Range | Min. ~ Max. | bar(G) | 0 ~ 20 |
| Expansion Vessel | Volume | Max. | ℓ | 8 |
| | Water pressure | Max. | bar | 3 |
| | Water pressure | Pre-charged | bar | 1 |
| Relief valve | Pressure Limit | Upper Limit | bar | 3.0 |
| Devices for Water Circuit | - | | - | Relief valve / Flow sensor |
| | | | - | Drain hose |
| | | | - | Pressure sensor / Air vent valve |
| Piping Connections | Water Circuit | Inlet to PHEX | mm(Inch) | Male PT 25.4(1) |
| | | Inlet to Heat Load | mm(Inch) | Male PT 25.4(1) |
| | | Outlet from PHEX | mm(Inch) | Male PT 25.4(1) |
| | | Outlet from Heat Load | mm(Inch) | Male PT 25.4(1) |
| Wiring Connections | Power and Communication Cable (Included Earth, H07RN-F) | | mm ² x cores | 0.75 x 4C |
| Sound Power Level | Heating | Rated | dB(A) | 44 |
| Dimensions | Unit | W × H × D | mm | 490 × 850 × 315 |
| | Packed Unit | W × H × D | mm | 563 × 1,082 × 375 |
| Weight | Unit | | kg | 30.5 |
| | Packed Unit | | kg | 34.5 |
| Exterior | Color | | - | Nobel White |
| | RAL Code | | - | RAL 9016 |

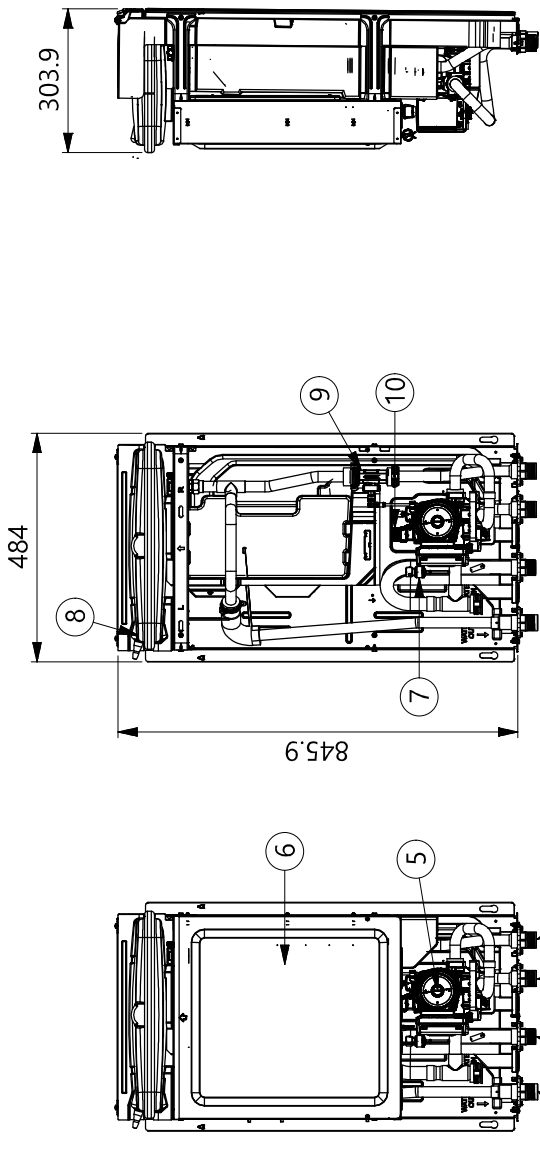
Note

1. Due to our policy of innovation some specifications may be changed without notification.
2. Wiring cable size must comply with the applicable local and national code. And "Electric characteristics" chapter should be considered for electrical work and design. Especially the power cable and circuit breaker should be selected in accordance with that.
3. Sound power level is measured on the rated condition in according with ISO 9614 standard. Therefore, these values can be increased owing to ambient conditions during operation.
4. * DHW 58~80°C operating is available only when the booster heater is operating.

3. Dimensions

3.1 Internal Layout

[Unit: mm]
 Chassis code: K1
 P/ No. : TBJ37800801_rev.01

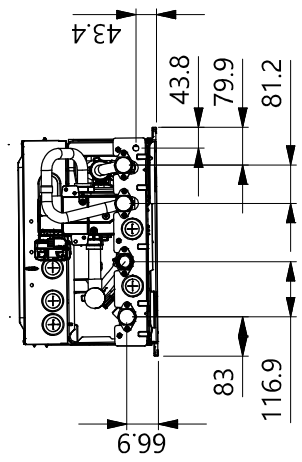


↓ Note for PDB of indoor unit

Note

1. Unit should be installed in compliance with the installation instructions in the product box.
2. The unit should be installed in accordance with the local regulations or applicable national codes.
3. All electrical components and materials to be supplied from the site must comply with the local regulations or international codes.

| | | |
|-----|-----------------|--------------------------------|
| 10 | Safety Valve | Open at water pressure 3 bar |
| 9 | Sensor,Flow | O-Ring Flow range : 5 ~ 80 LPM |
| 8 | Tank,Expansion | COMPLEX 8 litter 3/4" |
| 7 | Pressure Sensor | SENSATA 2HMP3-04W 0-2MPa |
| 6 | Control Box | PCB and Terminal blocks |
| 5 | Pump,Water | GRUNDFOS UPML 20-105 CHBL |
| 4 | Tube Assembly | EPP_Pump Outlet |
| 3 | Tube Assembly | EPP_Structure_Pump Inlet |
| 2 | Tube Assembly | EPP_Structure_Water |
| 1 | Tube Assembly | EPP_Outlet Pipe |
| No. | Part Name | Description |



3. Dimensions

3.2 External Layout

[Unit: mm]
Chassis code: K1
P/No.: TB137800801_rev.01

↓ Note for PDB of indoor unit

Note

- Unit should be installed in compliance with the installation manual in the product box.
- Unit should be grounded in accordance with the local regulations or applicable national codes.
- All electrical components and materials to be supplied from the site must comply with the local regulations or international codes.

| No. | Part Name | Description |
|-----|---------------|----------------------------|
| 5 | Control Panel | Built-in Remote Controller |
| 4 | Tube Assembly | EPP_Pump Outlet |
| 3 | Tube Assembly | EPP_Structure_Pump_Inlet |
| 2 | Tube Assembly | EPP_Structure_Water |
| 1 | Tube Assembly | EPP_Outlet Pipe |